



HYDRAULIC ROCK BREAKER  
**V4500**



POWER AND  
VERSATILITY  
FOR ALL JOBSITES

DESIGNED FOR 45 TO  
80 TONNES CARRIERS

MAXIMUM IMPACT FORCE  
SINCE THE VERY FIRST BLOW

DEMOLITION, QUARRY,  
MINES AND TUNNELS, MASS  
EXCAVATION, LANDSCAPING,  
RECYCLING... A TOOL WHICH  
FITTED FOR ANY SITUATION

### BENEFITS

- Hydraulic accumulator: no more regular nitrogen controls and recharges on jobsites.
- Automatic lubrication: cartridge grease pump mounted on breaker, or tank mounted on excavator.
- Made in France: superior quality steel and manufacturing excellence.
- Dynamic energy adjustment: two working positions automatically adjusted by the breaker.
- Blank firing protection: increased wear parts lifespan.

## HYDRAULIC ROCK BREAKER

POWER AND VERSATILITY  
FOR ALL JOBSITES

### WEIGHT & DIMENSIONS

#### WEIGHT (KG/LB)

BREAKER	3,711	8,181
+ MOUNTED TOOL	4,067	8,966
+ MOUNTED ADAPTER PLATE (MAX)	5,001	11,025

#### DIMENSIONS (MM)

A	2,514	98.97
B	795	31.29
C	700	27.55
D	550	21.65
E	122	4.80
F	3,309	130.2
G	790	31.1
H	1,01	39.76

### OPERATING INFORMATION

CARRIER WEIGHT RANGE (MIN-MAX, MT)	45-80
OIL FLOW (MIN-MAX, L/MIN / GPM)	280-380 74-100.4
MAXIMUM OPERATING PRESSURE (BAR/PSI)	185 2,683
MAXIMUM BACK PRESSURE (BAR/PSI)	15 218
INPUT POWER (KW)	117.2
STRIKING FREQUENCY (MIN-MAX, BPM)	300-610
NOISE LEVEL /10M (DBA)	123
AUTOMATIC LUBRICATION	standard
SOUNDPROOFING	standard
INSPECTION KIT	standard
PRESSURIZATION	preinstalled

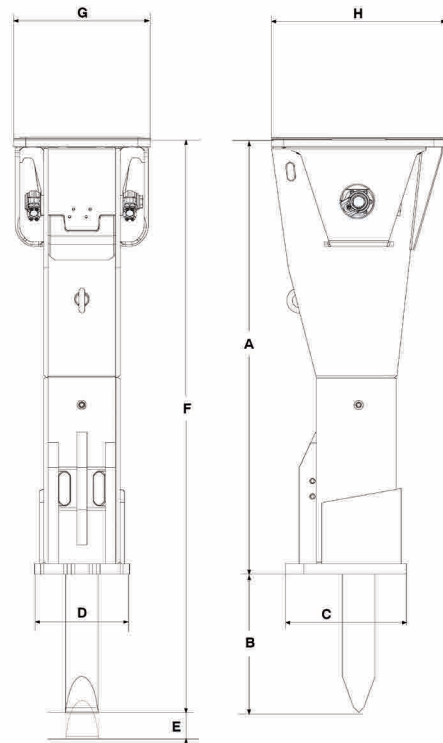
### OPTIONS

#### CPN

PRESSURIZATION KIT	86372505
SOFTSTART	86778818
ADAPTER PLATE	upon request
SPECIAL PAINTING	upon request

### TOOLS

DIAMETER (MM/IN)	190/7.48	190/7.48	190/7.48	190/7.48
LENGTH (MM/IN)	1,660/63.35	1,660/63.35	1,660/63.35	1,660/63.35
WEIGHT (KG/LB)	336/741	324/714	341/752	356/785
CPN	86780301	86780327	86780285	86780319



### CONSUMABLES

#### CPN

GREASE CARTRIDGES (X20)	86784758
ABL2 GREASE BUCKET (24 KG)	86772969
ABL1 GREASE BUCKET (24 KG)	86772977

### MAINTENANCE KITS

#### CPN

BASIC	upon request
LEVEL 1	upon request
LEVEL 2	upon request



The content of this brochure constitutes non-binding information and may be changed at any time without notice. Montabert gives, and the brochure contains, no warranties whatsoever, express or implied. All the contents, including but not limited to text, images, graphics are all subject to copyright and all intellectual property protection. Their use or misuse is strictly prohibited. Montabert, KMC or Komatsu trademarks used herein are the property of their respective companies. Nothing contained on this document shall be construed as constituting any commitment by Montabert or as granting any license or right to use any intellectual property. ©2019 Montabert. All rights reserved.

[montabert.com](http://montabert.com)

